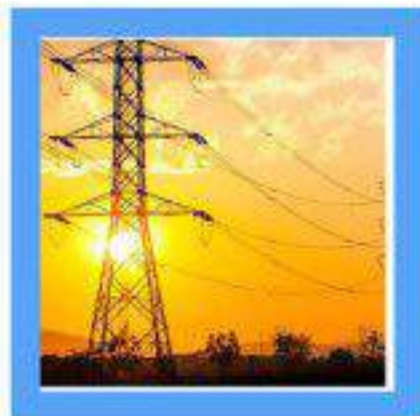


ISO 9001 : 2015

GEO  
INDIA



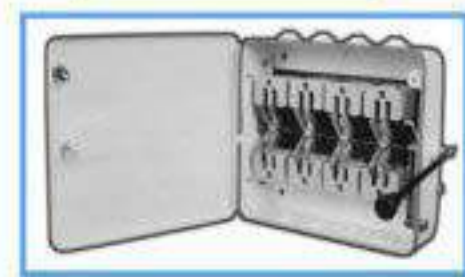
**GEO INDUSTRIES**

CATALOGUE FOR  
HIGH & LOW TENSION  
PORCELAIN INSULATORS





# GEO INDUSTRIES PRODUCTS







33 kV Pin  
700 CD



33 kV Pin  
580 mm CD



22 kV Pin  
480 mm CD



11 kV Pin  
230 mm CD



22 kV Post  
430 mm CD



Lightning Arrestor  
L.A. Shell



Solid Core 11 kV



C.T.  
Bushing



11 kV Pin Insulator  
280 mm CD Type



11 kV Pin Insulator  
230 mm CD Type



11 kV Post  
320 mm CD



L.A. Shell



D.O  
Solid core



11 kV Nema Type  
Pin



22 kV Nema Type  
Pin



11 kV Nema Type  
Pin



11 kV Line Pin



22 kV Line Pin



22 kV Nema Type  
Pin



11 kV Post Shell



11 kV Small Head  
230 mm CD



Guy Insulator  
Eight Corner



L.T. Pin  
Insulator



L.V. Bushing  
Set



Spool Insulator



Shackle  
Insulator



Shackle  
Insulator



Tongue & Clevis  
Type Disc Insulator



Ball & Socket  
Type Disc Insulator



Transformer  
Insulator



Guy  
Insulator



Transformer  
Insulator



EGG Guy  
Insulator



Transformer  
Bushing



Dead End Type  
Disc Insulator  
320 mm CD 45 KN



T&C Type Disc  
320 mm CD  
45, 70 & 90 KN



B&S Type Disc  
320 mm CD  
45, 70 & 90 KN



33 kV Round Type  
Pin Insulator



L.V.  
Bushings



## COMPANY PROFILE

Geo Industries started in 1980. Situated at NCR 91 just 90 km East from Delhi National capital of India is a reputed manufacturer and exporter of high tension and low tension insulators .

Geo Industries offers high quality insulator that are widely ordered by worldwide buyers and industries at large.

They provide cost effective solution and promise you a long and safe product life.

We would also like to mention here that trained and professional Technocrats run our company with minimum 25 - 30 years experience in the related field.

we keep pace with the latest technologies & concepts in the on going market R & D activities is a never ending affair with us.

## VISION

Geo Industries diversified in power section , an ISO 9001 certified unit with a vision of creating an enduring benchmark in India for strategic excellence in electro- porcelain products to serve power section in india and globally as well.

## QUALITY POLICY

To deliver correct and defect free products to our valued clients on time and to provide high quality products - services , our quality control system is continuously strengthen and upgraded conforming to ISO 9001 standard.

## BRAND

Our National and International brands are

For Insulators : **G E O**

For Kit Kat Fuse and Base : **S P E E D**

## INTERNATIONAL BUSINESS ( EXPORT )

Geo Industries Export best quality products. Our export countries are Bangladesh , Nepal , Sri Lanka , Iran , Iraq , Kuwait , Dubai and Zambia.

## Our National Customers

State of India , Tripura ( T.S.E.C.L)

State of India , Goa State Electricity Board

State of India , Meghalaya State Electricity Board

State of India , Assam State Electricity Board

India Government Organisation ( A.M.U).



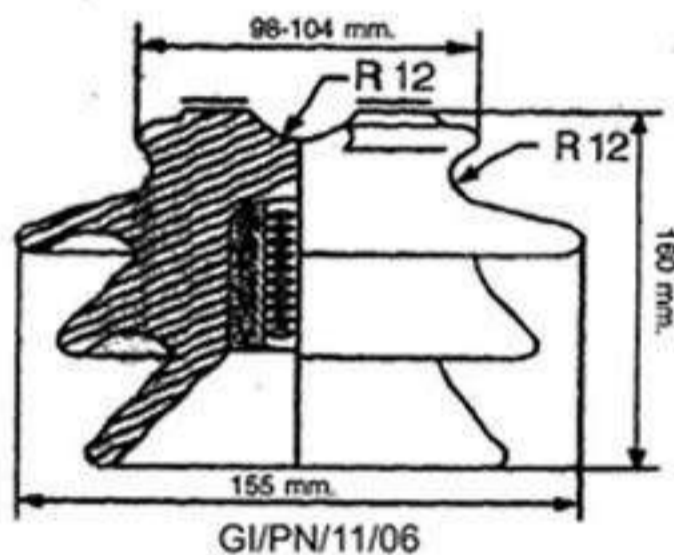
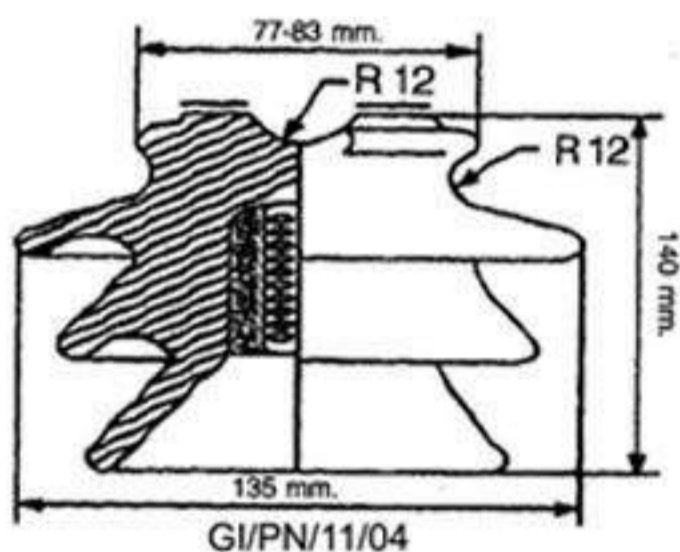
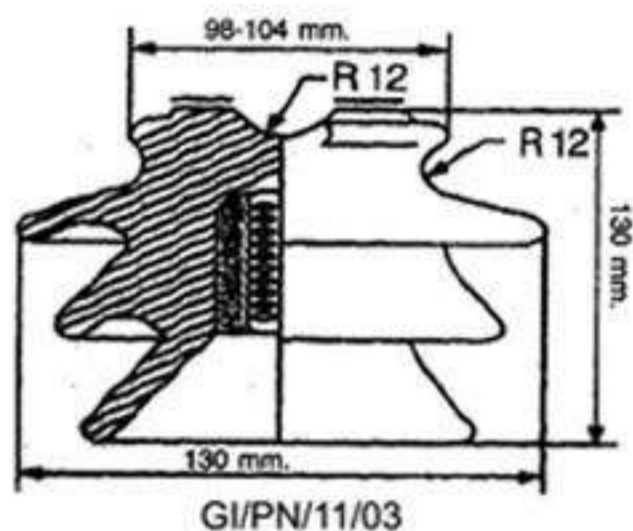
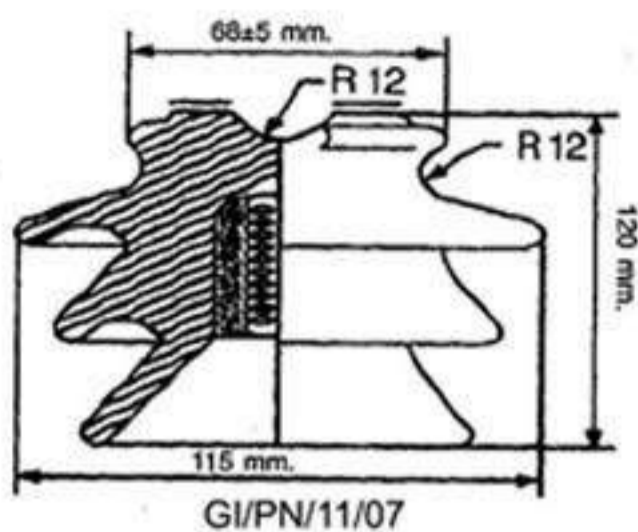
## Index

Item Range	Specification
1. 11 kv Pin Insulator	IS: 731, BS: EN60383, IEC : 383
2. 22 kv Pin Insulator	IS: 731, BS: EN60383, IEC : 383
3. 33 kv Pin Insulator	IS: 731, BS: EN60383, IEC : 383
4. Disc Insulator	IS: 731, BS: EN60383, IEC : 383
(B & S , T & C Type)	
5. 11 kv & 22 kv Post insulator	IS: 2544 & IS: 5350
6. 1.1 kv Transformer Bushing	IS: 3347 (Part I) & IS: 7421
7. 12 kv - 17.5 kv, 24 kv & 36 kv	
Transformer Bushing	
8. L.T. Shackle Insulators	IS: 1445 , BS: 137
9. L.T. Spool Insulators	IS: 3608 , BS : 137
10. Guy Strain Insulators	IS: 5300
11. L.T. Pin Insulators	IS: 1445 , BS: 137
12. Pictures of Various Insulators	



## Pin Insulator 11 kV High Tension Insulator

We are manufacturer and exporter of 11kV Pin Insulator



### STANDARD PARTICULARS

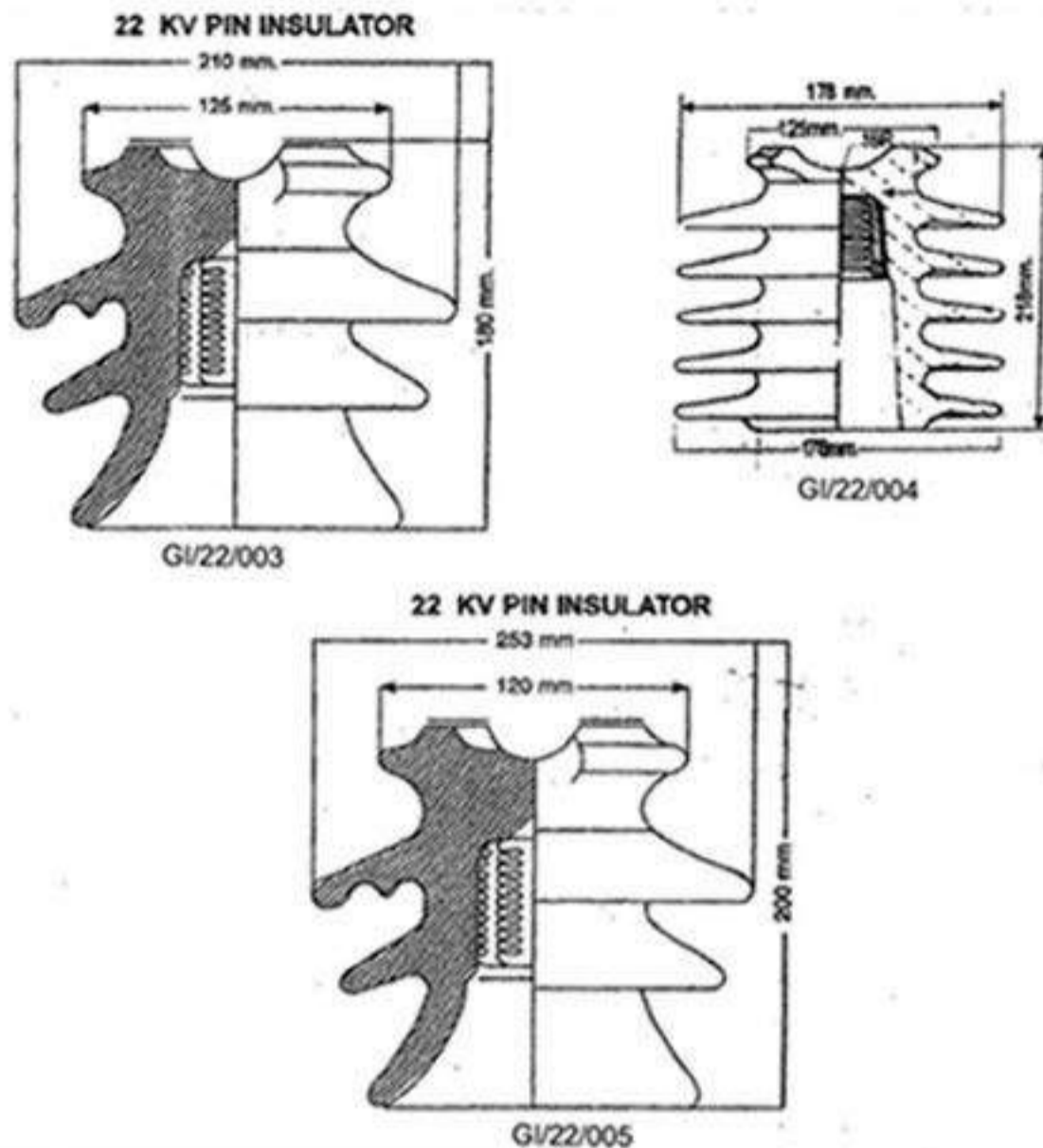
Drawing No.		GI/PN/11/07	GI/PN/11/03	GI/PN/11/04	GI/PN/11/06
Highest System Voltage	KV	12	12	12	12
Working Voltage	KV	11	11	11	11
Creepage Distance Minimum	mm	230	230	280	320
Visible Discharge Voltage	KV	9	9	9	9
Mechanical Failing Load	KN	5	5	10	10
Power Frequency Withstand Voltage	Wet KV	35	35	35	35
	Dry KV	45	45	50	50
Power Frequency Flashover Voltage	Wet KV	40	40	40	45
	Dry KV	55	55	60	60
Impulse Withstand Voltage	KVp	75	75	75	75
Puncture Voltage	KV	105	105	105	105
Lead Thimble as per : 2486 (Part II)		Small	Small	Small	Small
Net Weight (aprox.)	Kg.	1.0	1.2	1.5	2.1
Specification as per IS:731					



## Pin Insulator 22 kV

High Tension Insulator

We are manufacturer and exporter of 22 kV Pin Insulator



### STANDARD PARTICULARS

Drawing No.		GI/22/003	GI/22/004	GI/22/005
Highest System Voltage	KV	24	24	24
Working Voltage	KV	22	22	22
Creepage Distance Minimum	mm	430	560	560
Visible Discharge Voltage	KV	18	18	18
Mechanical Failing Load	KN	10	10	10
Power Frequency Withstand Voltage	Wet	KV	55	55
	Dry	KV	75	95
Power Frequency Flashover Voltage	Wet	KV	65	75
	Dry	KV	90	110
Impulse Withstand Voltage	KVp	125	125	125
Puncture Voltage	KV	140	140	140
Lead Thimble as per : 2486 (Part II)		Large	Large	Large
Net Weight (aprox.)	Kg.	4.5	5.0	4.8
Specification as per IS:731				

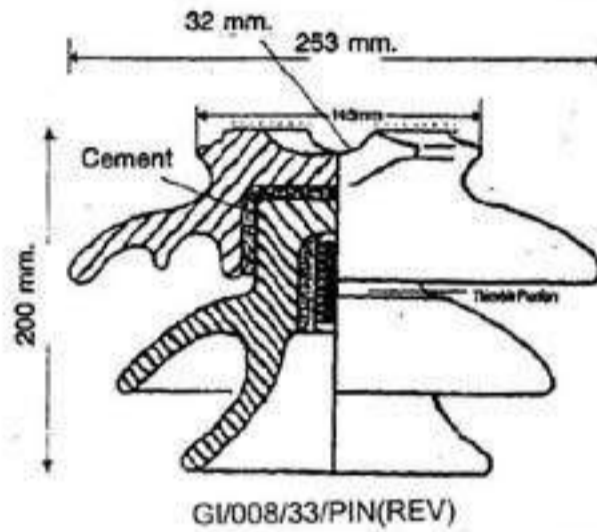
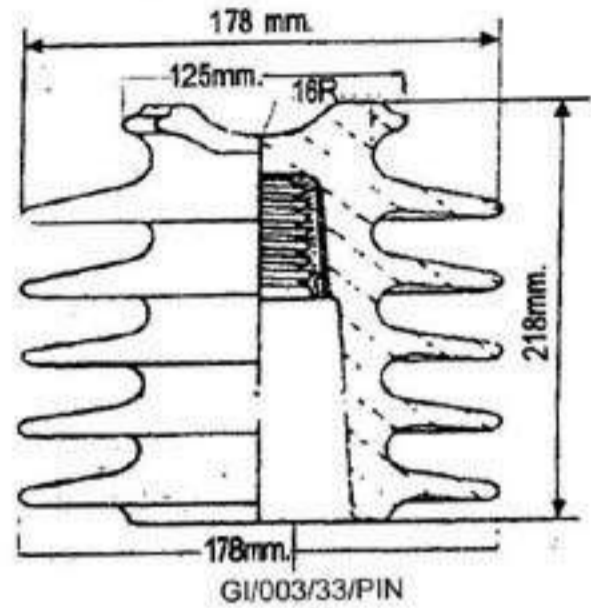
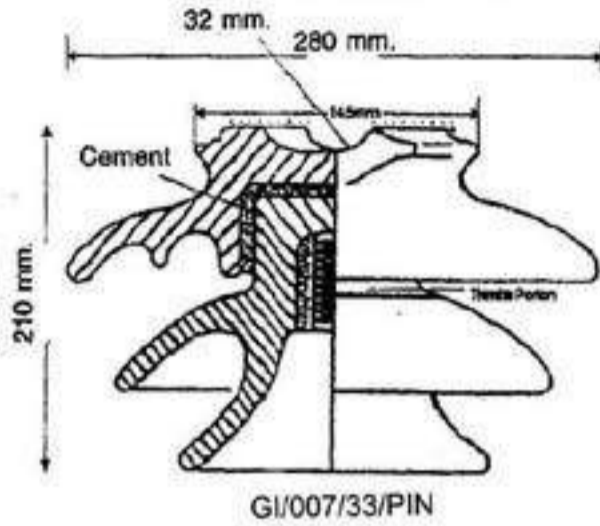


Pin Insulator 33 kV

High Tension Insulator

We are manufacturer and exporter of 33 kV Pin Insulator

**33 KV PIN INSULATORS  
3 PETICOATS (Two Parts)**



**STANDARD PARTICULARS**

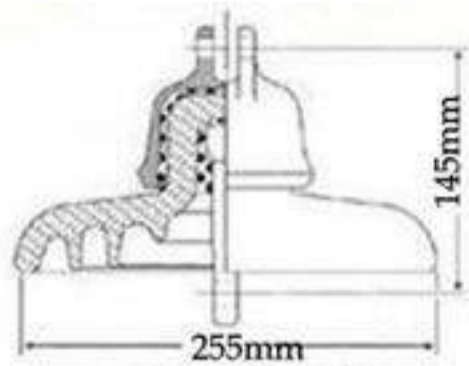
Drawing No.		GI/007/33/PIN	GI/003/33/PIN	GI/008/33/PIN(REV)
Highest System Voltage	KV	36	36	36
Working Voltage	KV	33	33	33
Creepage Distance Minimum	mm	580	580	580
Visible Discharge Voltage	KV	27	27	27
Mechanical Failing Load	KN	10	10	10
Power Frequency Withstand Voltage	Wet	KV	75	75
	Dry	KV	95	95
Power Frequency Flashover Voltage	Wet	KV	85	85
	Dry	KV	110	110
Impulse Withstand Voltage	KVp	170	170	170
Puncture Voltage	KV	180	180	180
Lead Thimble as per : 2486 (Part II)		Large	Large	Large
Net Weight (aprox.)	Kg.	7.5	5.5	5.3
Specification as per IS:731				



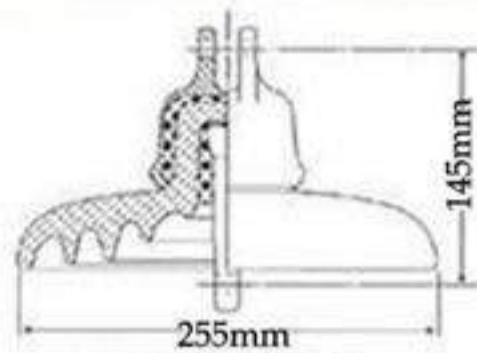
## Disc Insulator ( T & C , B & S Type )

High Tension Insulator

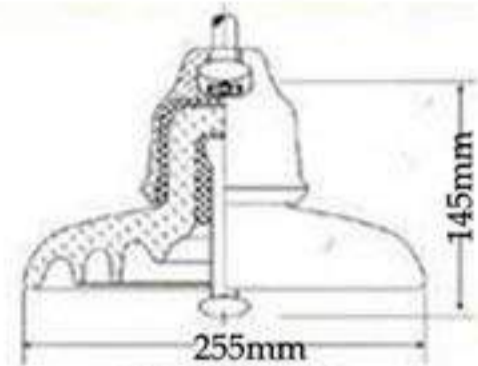
We are manufacturer and exporter of Disc Insulator ( T&C , B & S Type )



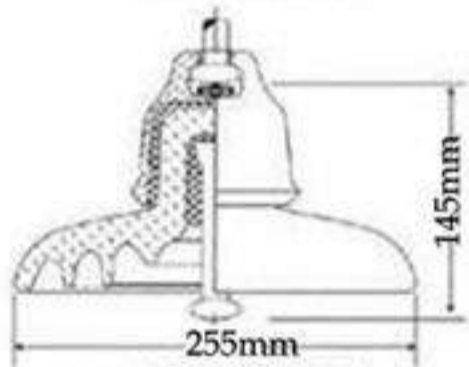
GI - D - 1102 T 45



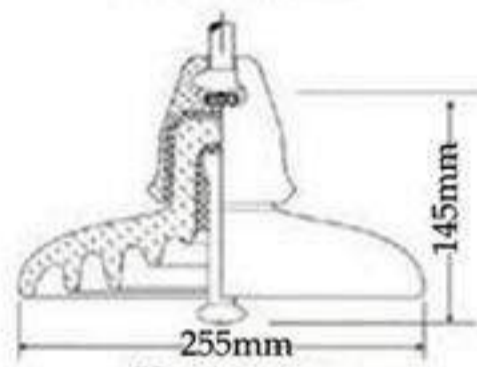
GI - D - 1104 T 70



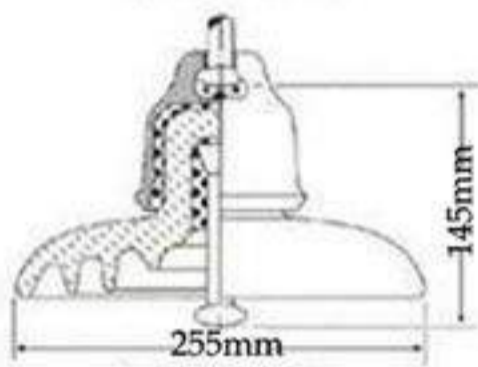
GI - D - 1102 B 45



GI - D - 1104 B 70



GI - D - 1106 B 80



GI - D - 1108 B 90

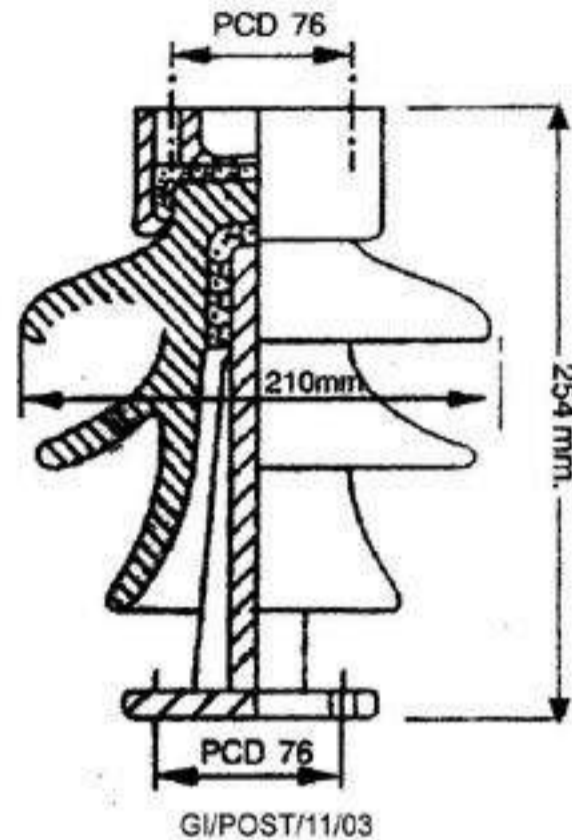
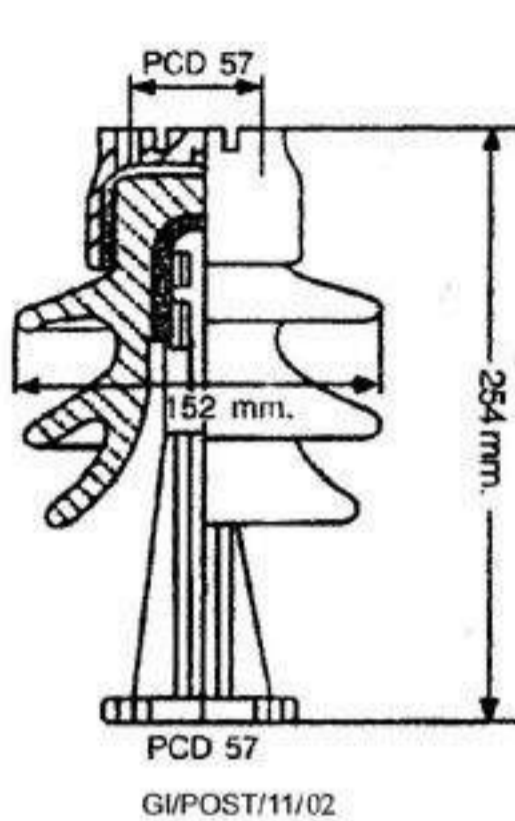
Drawing No.		GI-D-1102 T 45	GI-D-1104 T 70	GI-D-1102 B 45	GI-D-1104 B 70	GI-D-1106 B 80	GI-D-1108 B 90
Visible Discharge Voltage	KV	9	9	9	9	9	9
Porcelain Diameter	mm.	255	255	255	255	255	255
Spacing	mm.	145	145	145	145	145	145
Creepage Distance	mm.	320	320	320	320	320	320
Electro-mechanical Strength	KN	45	70	45	70	80	90
Power Frequency Flashover Voltage	Dry KV	65	65	65	65	65	65
	Wet KV	55	55	55	55	55	55
Impulse Flashover Voltage	+ve kVp	110	110	110	110	110	110
	-ve kVp	100	100	100	100	100	100
Power Frequency Withstand Voltage	Dry KV	55	55	55	55	55	55
	Wet KV	40	40	40	40	40	40
Impulse Withstand Voltage	KVp	100	100	100	100	100	100
Power Frequency Puncture Voltage	KV	105	105	105	105	105	105
Net Weight (approx.)	Kg.	4.5	4.6	4.5	4.5	5.0	5.0
Ball Socket Size	mmB	16	16	16	16	16	16
Specification as per IS:731 , BS : EN 60383 , IEC: 383							



## Post Insulator 11kV & 22 kV

High Tension Insulator

We are manufacturer and exporter of 11 kV & 22 kV Post Insulator



### STANDARD PARTICULARS

Drawing No.		GI/POST/11/02	GI/POST/11/03
Highest System Voltage	KV	12	24
Working Voltage	KV	11	22
Visible Discharge	KV	9	18
Creepage Distance Minimum	mm	320	430
Cantilever Strength	Upright	N	9000
	Underhand	N	6800
Torsional Strength	Nm	30	68
Compressive Strength	N	32000	40000
Tensile Strength	N	10000	30000
Power Frequency Withstand Voltage	Wet	KV	35
	Dry	KV	35
Power Frequency Flashover Voltage	Wet	KV	40
	Dry	KV	45
Impulse Withstand Voltage	KVp	75	125
Power Frequency Puncture Voltage	KV	1.3x Actual F/O Voltage	1.3x Actual F/O Voltage
Net Weight (aprox.)	Kg.	4.3	7.0

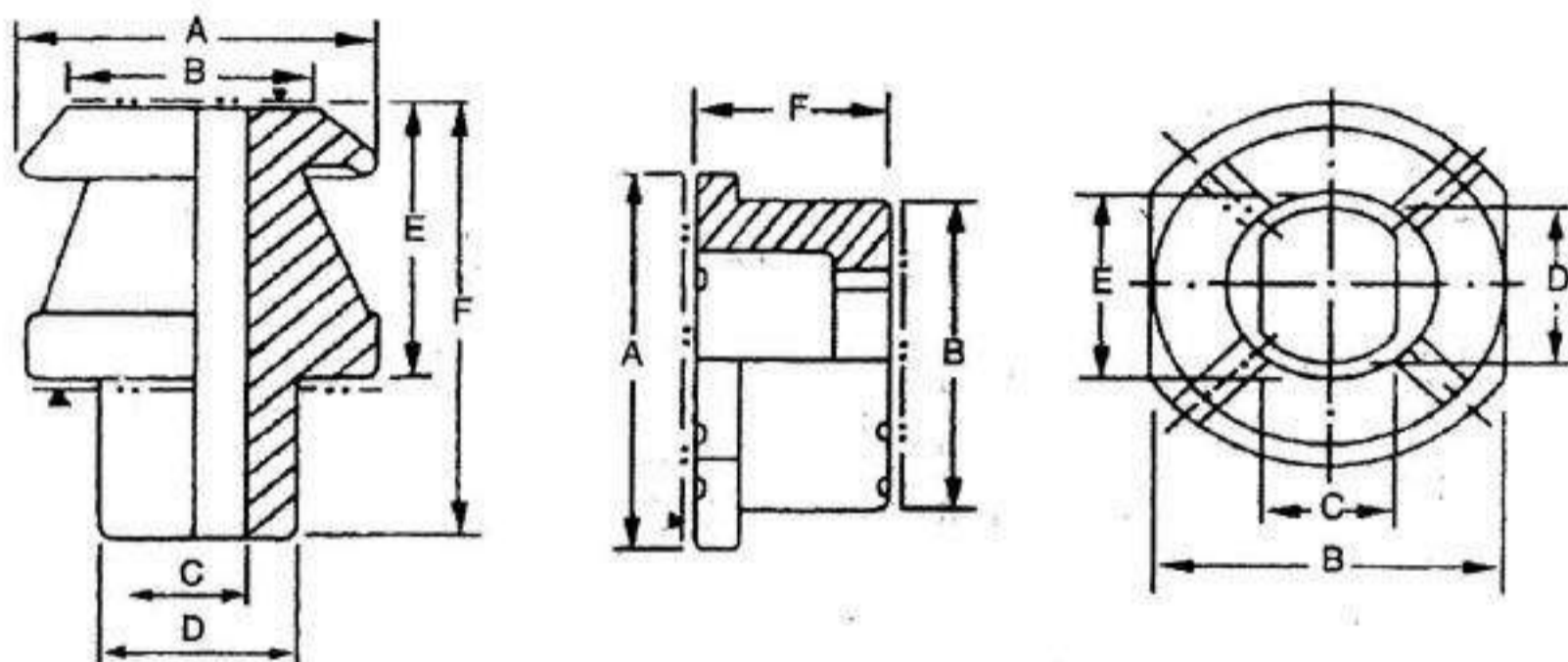
Specification as per IS:2544 & IS: 5350 (Part-III).



## Transformer Bushing 1.1 kV

High Tension Insulator

We are manufacturer and exporter of Transformer Bushing

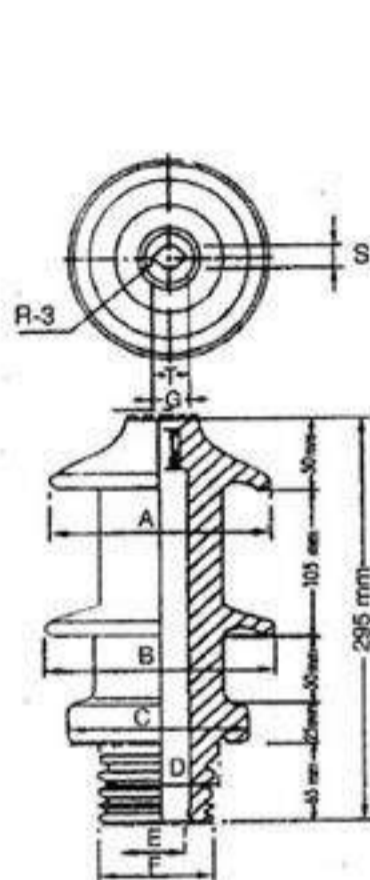


GI- B101 / GI- B102 / GI- B103 / GI- B104 / GI- B105

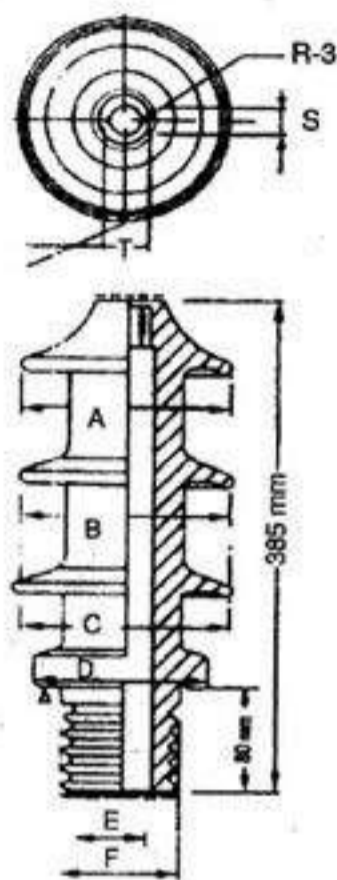
### STANDARD PARTICULARS

Drawing No.			GI-B101		GI-B102		GI-B103		GI-B104		GI-B105	
Transformer Rating	KV/Amp.		1.1/250		1.1/630		1.1/1000		1.1/2000		1.1/3150	
Part			I	II	I	II	I	II	I	II	I	II
Dimensions	A	mm.	50	60	70	85	90	110	104	125	125	150
	B	mm.	32	50	47	70	65	90	80	104	100	125
	C(Min.)	mm.	14	20	22	28	32	37	44	51	50	61
	D	mm.	27	26	43	4	53	46	66	64	86	80
	E(Min.)	mm.	45	30	55	48	55	57	55	70	55	90
	F	mm.	70	30	80	30	85	35	85	35	85	35
Power Frequency	Dry	KV		10		10		10		10		10
Withstand Voltage	Wet	KV		10		10		10		10		10
Net Weight (approx.)			0.18	0.12	0.36	0.20	0.80	0.40	0.85	0.60	1.20	0.80
Specification as per IS:3347 (Part 1/Sec. 1) & IS-7421												

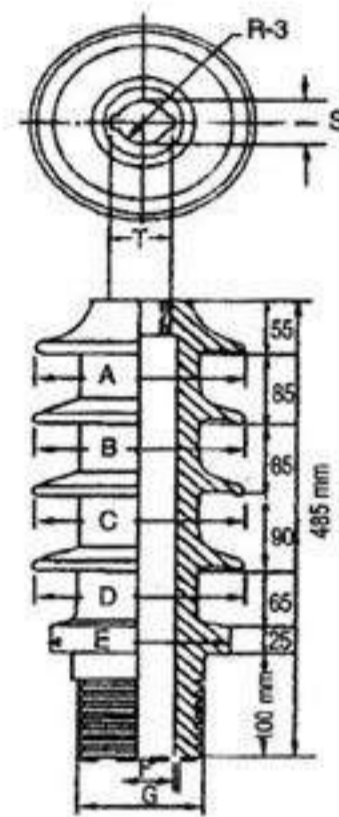




GI-B 1201 / RR -B 1203



GI - B 2401 / GI - B 2403



GI - B3601

### STANDARD PARTICULARS

Drawing No.		GI-B 1201	GI-B 2403	GI-B 3601
Transformer Rating	KV/Amp.	12 - 17.5 /630	24/630	36/250
Visible Discharge Voltage	KV	9	18	27
Dimensions Dia	Dia A mm	145	155	145
	Dia B mm	150	160	150
	Dia C mm	128	165	155
	Dia D mm	88	128	155
	Dia E Max mm	39	39	111
	Dia F Min mm	85	88	32
	Dia G Max mm	150	-	74
		S mm	24.5	24.5
	T mm	30.5	30.5	22
Power Frequency Withstand Voltage Wet & Dry	KV	40	50	70
Impluse Withstand Voltage	KVp	95	125	170
Net Weight (approx.)	Kg.	4.0	7.0	8.0

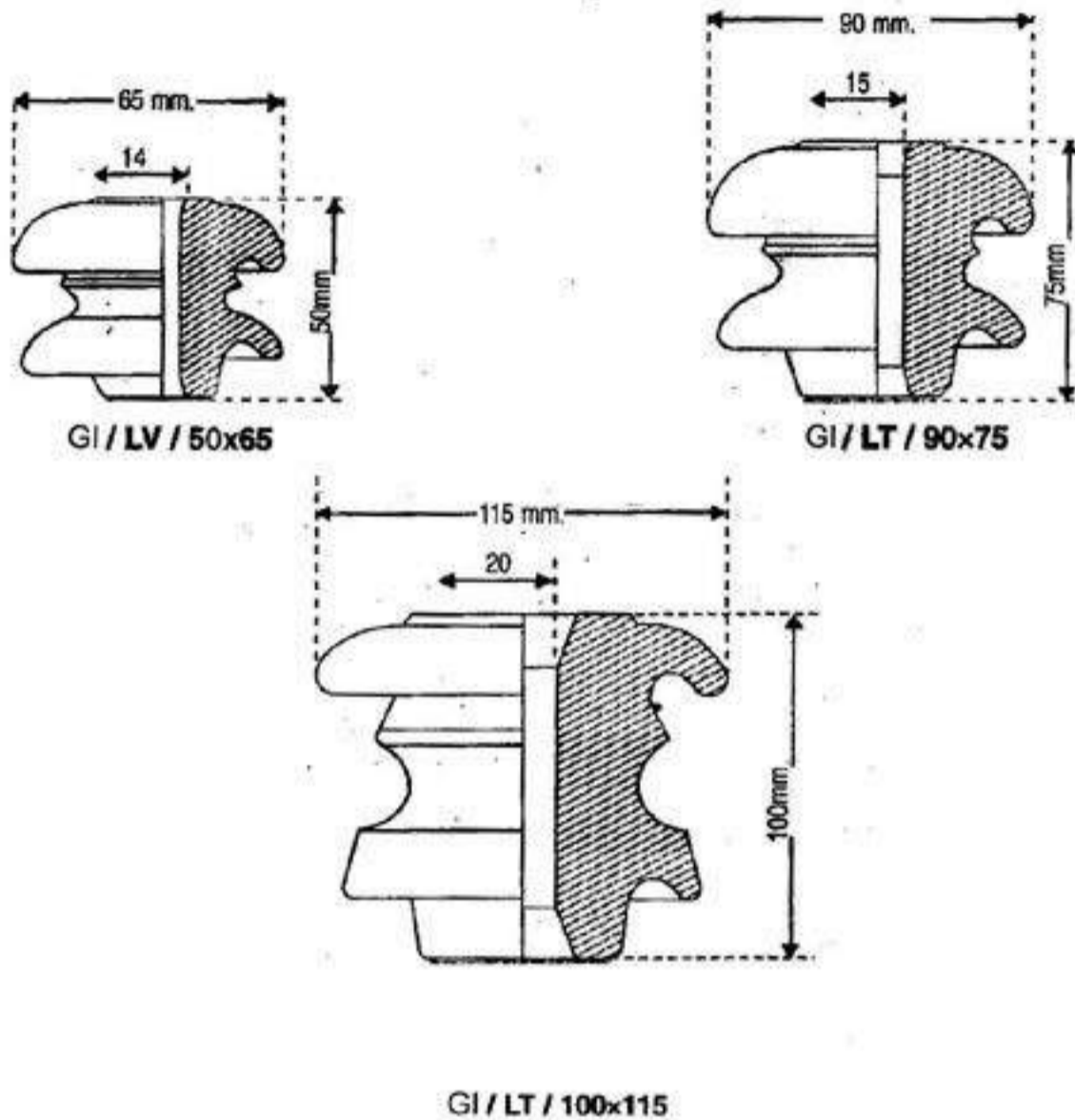
Specification as per IS:3347 (Part V/Sec. 1) & IS-2099



# Shackle Insulators

Low Tension Insulator

We are manufacturer and exporter of Shackle Insulator



## STANDARD PARTICULARS

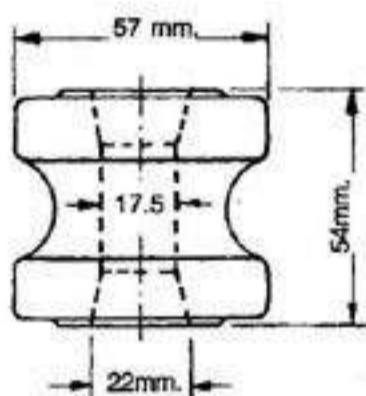
Drawing No.		GI/LV/50X65	GI/LT/90X75	GI/LT/100X115	
Type		-	IS Type 1	IS Type 2	
Creepage Distance		mm	50	63	75
Power Frequency Withstand Voltage	Wet	KV	6	10	10
	Dry	KV	15	23	23
Power Frequency Puncture Voltage		KV	1.3xActual Dry F.O.V.	1.3xActual Dry F.O.V.	1.3xActual Dry F.O.V.
Mechanical Strength, Transverse Strength		KN	7.7	11.5	16.0
Net Weight (approx.)		Kg.	0.25	0.5	1.0
Specification IS:1445					



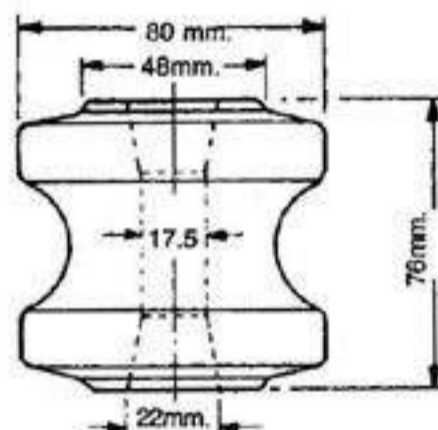
## Shackle & Spool Insulator

Low Tension Insulator

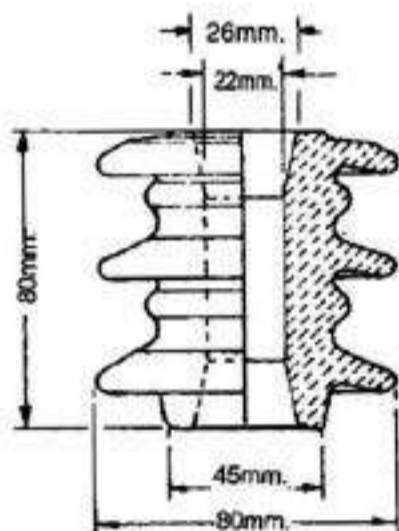
We are manufacturer and exporter of Shackle & Spool Insulator



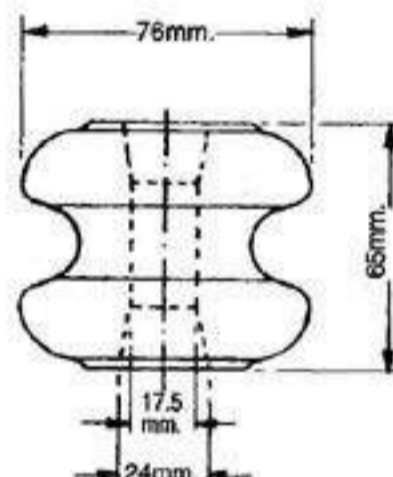
GI-S 54x57



GI-S 76x80



GI-S 80x80



GI-S 65x76

### STANDARD PARTICULARS

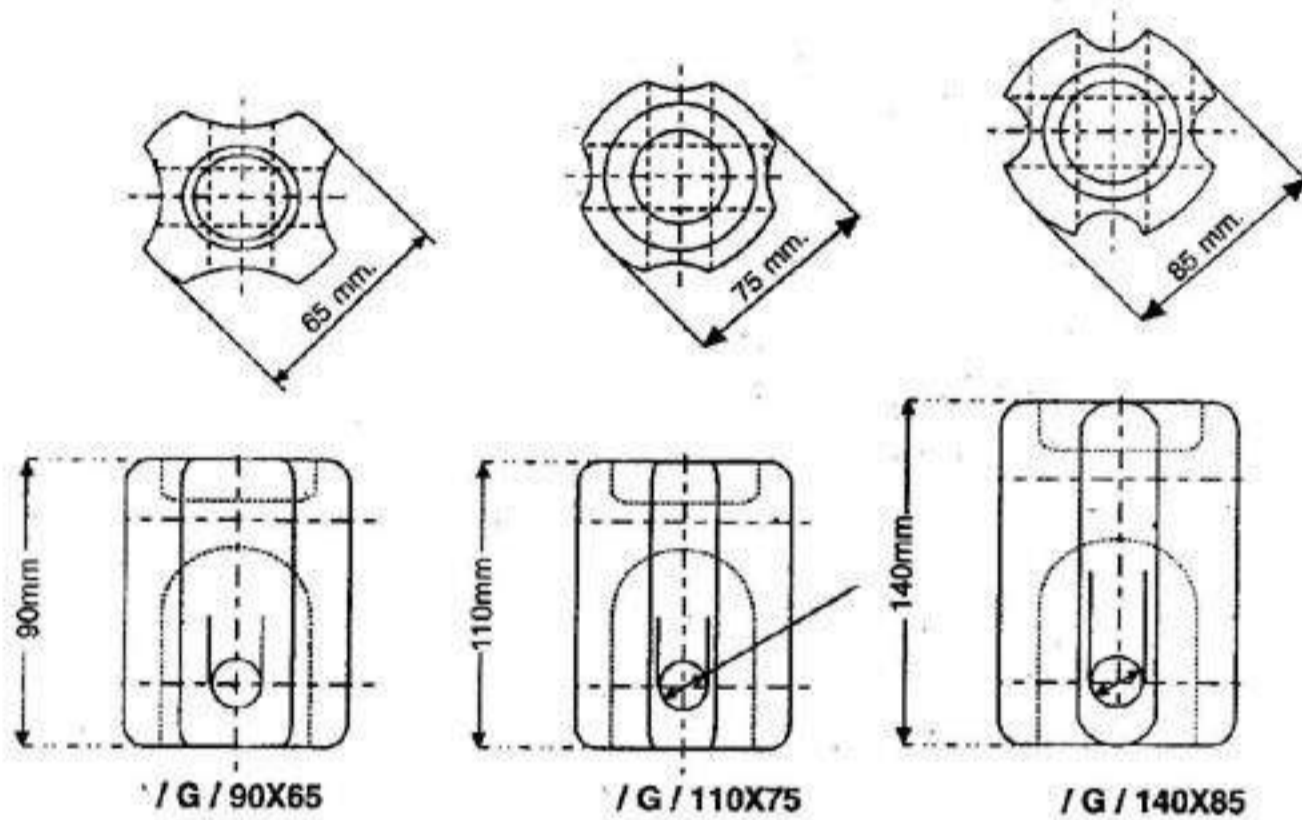
Drawing No.		GI-S 54 X 57	GI-S 76 X 80	GI-S 80 X 80	GI-S 65 X 76	
Type		SH.L.V.1	SH.L.V.2	DIN	BS	
Power Frequency Withstand Voltage	Wet KV	8	12	10	12	
	Dry KV	20	25	20	25	
Mechanical Strength, Transverse Strength		KN	9	20	13.5	15
Net Weight (approx.)		Kg.	0.2	0.6	0.5	0.5
Specification : DIN, As : 3608						



## Guy Strain Insulators

Low & High Tension Insulator

We are manufacturer and exporter of Guy Strain Insulators



### STANDARD PARTICULARS

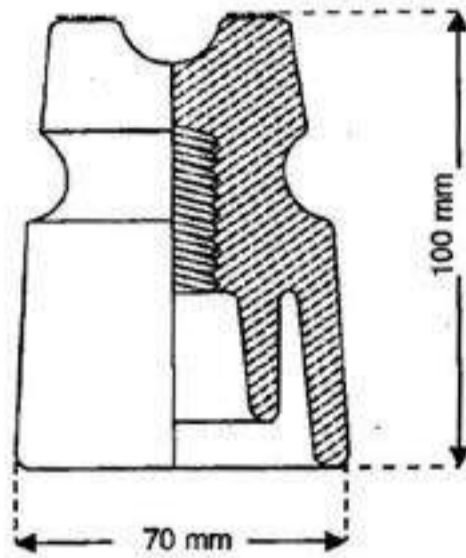
Drawing No.		G/G/90 X 65	G/G/110 X 75	G/G/140 X 85
Designation		A	B	C
Creepage Distance	mm	41	48	57
Power Frequency Withstand Voltage	Wet KV	8	9	13
	Dry KV	18	22	27
Tensile Strength		44	53	88
Net Weight (approx.)	Kg.	0.45	0.70	1.0
Specification : DIN, As : 5300				



## L.T. Pin Insulators

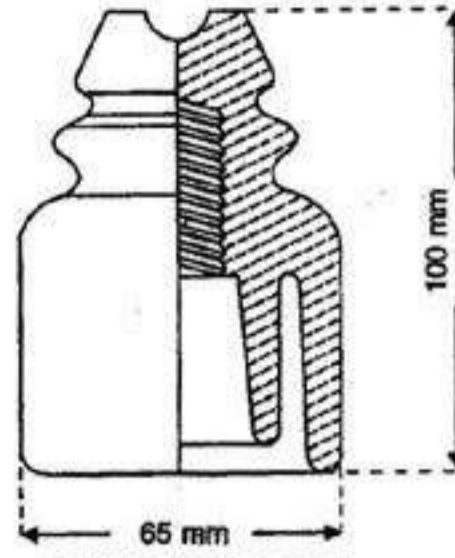
Low Tension Insulator

We are manufacturer and exporter of L.T. Pin Insulator

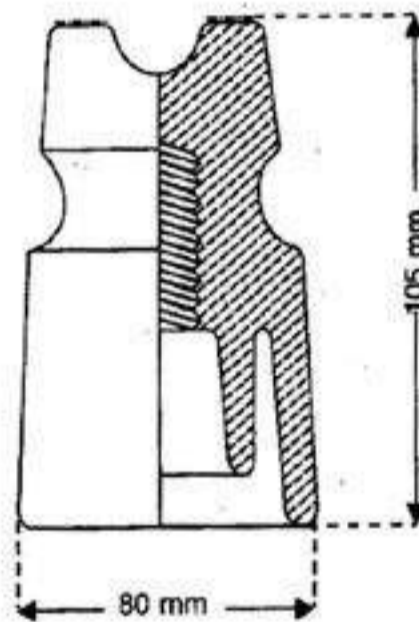


GI / LV / PN 70x100

R 10



GI / LV / PN 65x100



GI / LV / PN 80x105

### STANDARD PARTICULARS

Drawing No.		GI/LV/PN 70 X 100	GI/LV/PN 65 X 100	GI/LV/PN 80 X 125
Type		IS Type 1 (amended)	IS Type 3	IS Type 1
Cantilever Strength		Kg.(KN)	3.5	3.5
Power Frequency Withstand Voltage	Wet	KV	23	23
	Dry	KV	10	10
Power Frequency Puncture Voltage		KV	1.3xActual Dry F.O.V.	1.3xActual Dry F.O.V.
Net Weight (approx.)		Kg.	0.5	0.5
Specification IS:1445, As : 1137 & 3608				